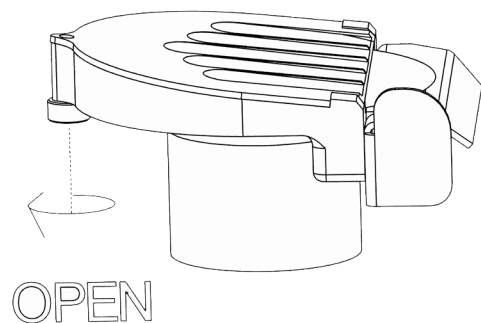
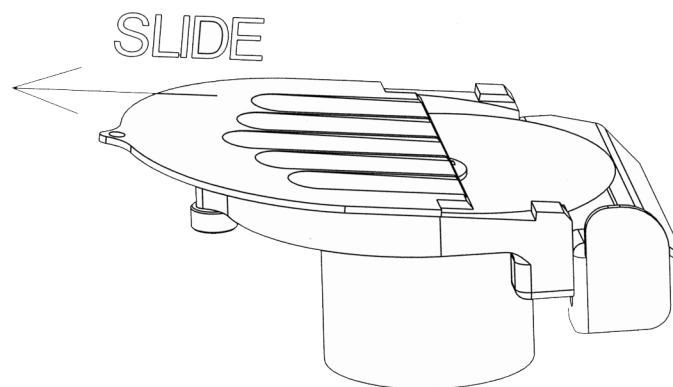


Instructions Manual

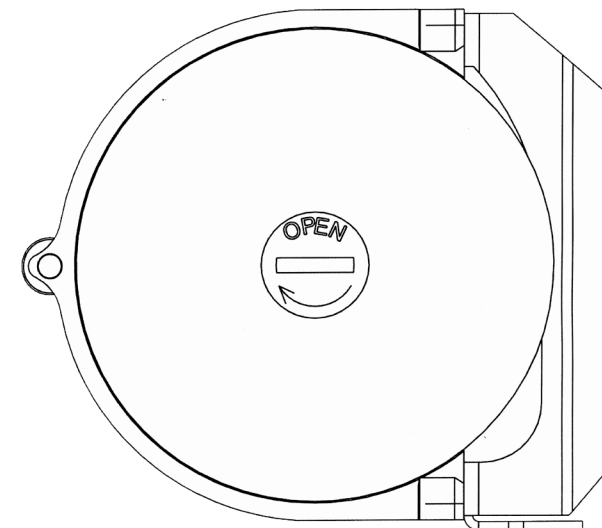
Model: DON300
ALLOY CUTTER



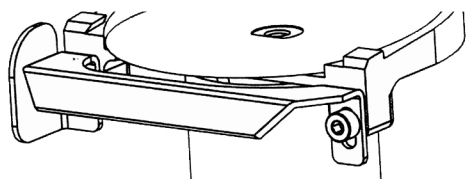
1. Unscrew



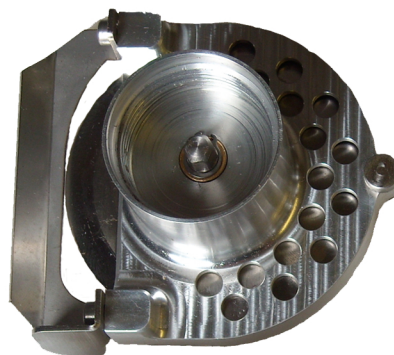
2. Slide Away



3. Open Blade Screw CW



Thickness Adjusting
Guard



Disconnect the Head Unit and wash
separately.



Do Not Immerse this Part in Water
Wipe Clean with dry cloth